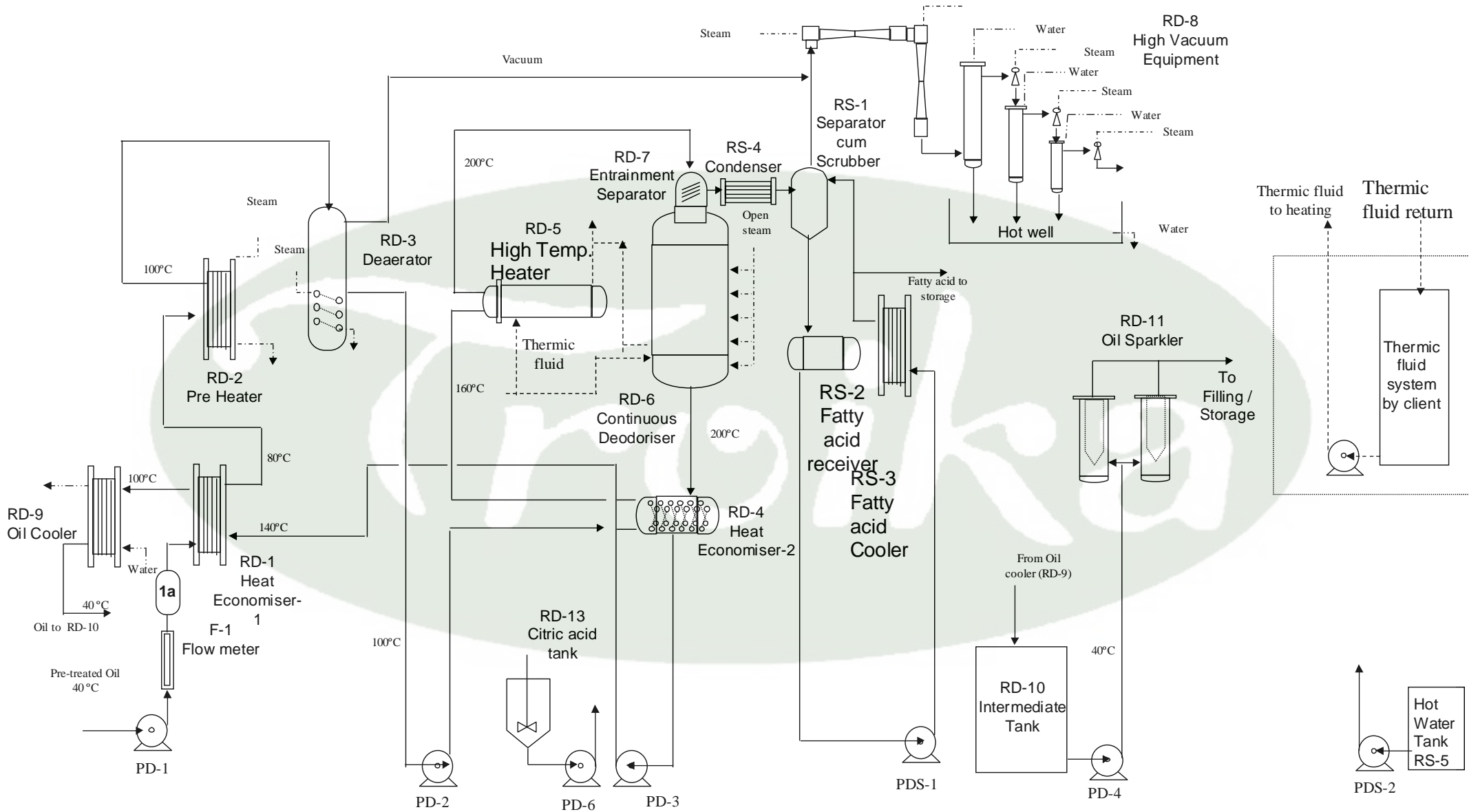


FLOW SHEET FOR DEODORISING CUM PHYSICAL REFINING SECTION



TROIKA - Group Of Companies EMBASSY CENTRE, NARIMAN POINT, MUMBAI- 400 021. INDIA
 TEL : 91-(22)-2283 4429, 22834334. FAX : 91-(22)-2282 3778.
 E-MAIL : troika@vsnl.com WEBSITE: <http://www.troikaindia.com>