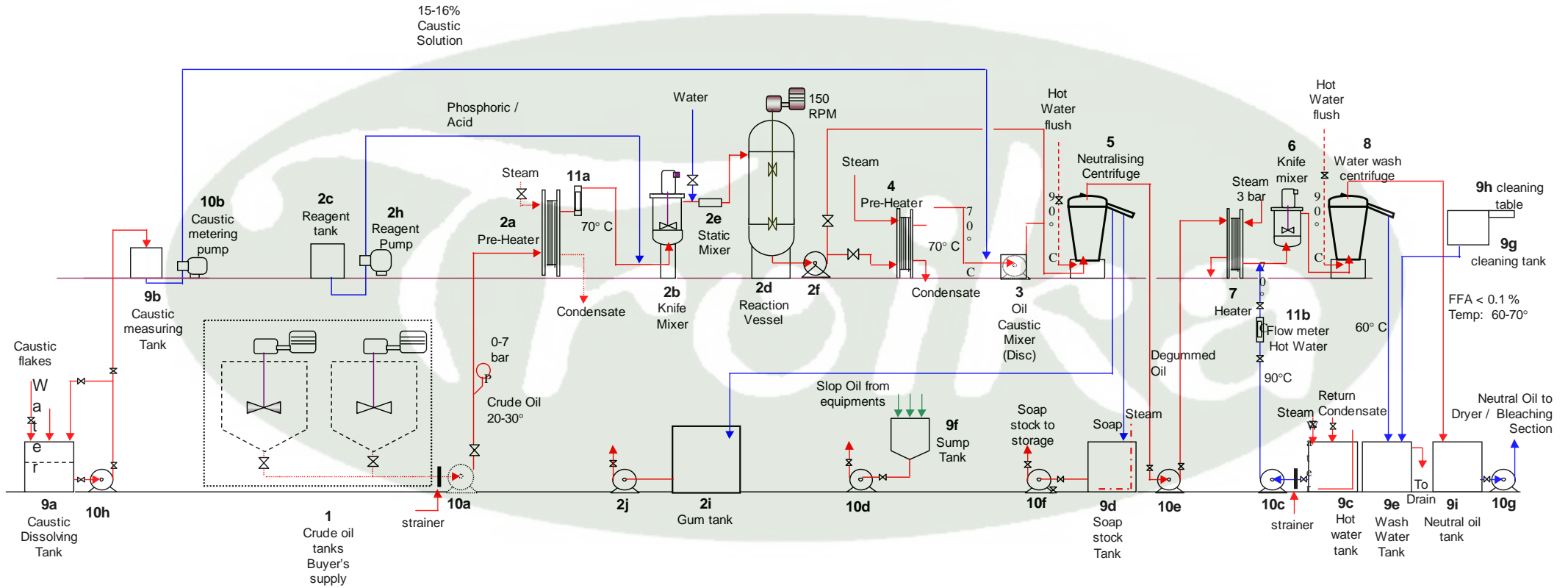


FLOW SHEET FOR CONTINUOUS NEUTRALISING SECTION WITH ALTERNATE DEGUMMING

Neutralising Centrifuge (5) is used as de-gumming centrifuge in Physical Refining.



TROIKA - Group Of Companies EMBASSY CENTRE, NARIMAN POINT, MUMBAI- 400 021. INDIA
TEL : 91-(22)-2283 4429, 22834334. FAX : 91-(22)-2282 3778.
E-MAIL : troika@vsnl.com WEBSITE: <http://www.troikaindia.com>